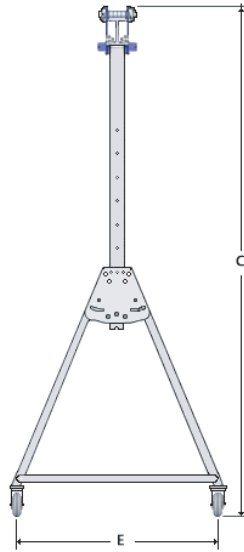
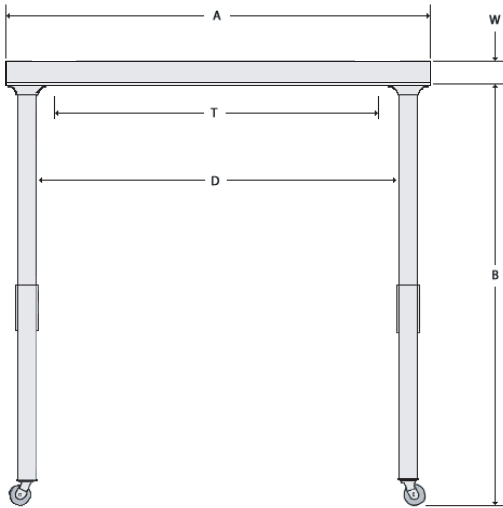


Ceiling-less Gantry System



Tread Depth (E) is 51" for all models.

*Molded phenolic casters are standard.

Gantry price includes: rail, brackets, casters and trolley.

| CAPACITY (IN LBS.) | **DERATED CAPACITY (IN LBS.) | HUB (B) | | SPAN (A) | MODEL NUMBER | CLEAR SPAN (D) | BEAM DEPTH (W) | TROLLEY TRAVEL (T) | OAH (C) | SHIPPING WEIGHT | |
|-----------------------|------------------------------------|------------|--------|-------------|-------------------|----------------------|----------------------|--------------------------|------------|--------------------|------|
| | | MIN | MAX | | | | | | | | |
| 1000 | 1000 | 6' 0" | 9' 0" | 8' | RP-1100G-AL6/9-8 | 6' 9-3/8" | 6" | 5' 7-3/4" | 9' 8-3/4" | 215# | |
| | | 7' 6" | 10' 6" | 8' | RP-1100G-AL7/10-8 | 6' 9-3/8" | 6" | 5' 7-3/4" | 11' 2-3/4" | 225# | |
| | | 9' 0" | 12' 0" | 8' | RP-1100G-AL9/12-8 | 6' 9-3/8" | 6" | 5' 7-3/4" | 12' 8-3/4" | 235# | |
| | 1000 | 1000 | 6' 0" | 9' 0" | 10' | RP-1100G-AL6/9-10 | 8' 9-3/8" | 6" | 7' 7-3/4" | 9' 8-3/4" | 224# |
| | | | 7' 6" | 10' 6" | 10' | RP-1100G-AL7/10-10 | 8' 9-3/8" | 6" | 7' 7-3/4" | 11' 2-3/4" | 234# |
| | | | 9' 0" | 12' 0" | 10' | RP-1100G-AL9/12-10 | 8' 9-3/8" | 6" | 7' 7-3/4" | 12' 8-3/4" | 244# |
| | 1000 | 1000 | 6' 0" | 9' 0" | 12' | RP-1100G-AL6/9-12 | 10' 9-3/8" | 6" | 9' 7-3/4" | 9' 8-3/4" | 234# |
| | | | 7' 6" | 10' 6" | 12' | RP-1100G-AL7/10-12 | 10' 9-3/8" | 6" | 9' 7-3/4" | 11' 2-3/4" | 244# |
| | | | 9' 0" | 12' 0" | 12' | RP-1100G-AL9/12-12 | 10' 9-3/8" | 6" | 9' 7-3/4" | 12' 8-3/4" | 254# |
| | 1000 | 1000 | 6' 0" | 9' 0" | 15' | RP-1100G-AL6/9-15 | 13' 9-3/8" | 8" | 12' 7-3/4" | 9' 10-3/4" | 286# |
| | | | 7' 6" | 10' 6" | 15' | RP-1100G-AL7/10-15 | 13' 9-3/8" | 8" | 12' 7-3/4" | 11' 4-3/4" | 296# |
| | | | 9' 0" | 12' 0" | 15' | RP-1100G-AL9/12-15 | 13' 9-3/8" | 8" | 12' 7-3/4" | 12' 10-3/4" | 306# |
| | 1000 | 1000 | 6' 0" | 9' 0" | 18' | RP-1100G-AL6/9-18 | 16' 9-3/8" | 8" | 15' 7-3/4" | 9' 10-3/4" | 307# |
| | | | 7' 6" | 10' 6" | 18' | RP-1100G-AL7/10-18 | 16' 9-3/8" | 8" | 15' 7-3/4" | 11' 4-3/4" | 317# |
| | | | 9' 0" | 12' 0" | 18' | RP-1100G-AL9/12-18 | 16' 9-3/8" | 8" | 15' 7-3/4" | 12' 10-3/4" | 327# |
| | 1000 | 1000 | 6' 0" | 9' 0" | 20' | RP-1100G-AL6/9-20 | 18' 9-3/8" | 8" | 17' 7-3/4" | 9' 10-3/4" | 321# |
| | | | 7' 6" | 10' 6" | 20' | RP-1100G-AL7/10-20 | 18' 9-3/8" | 8" | 17' 7-3/4" | 11' 4-3/4" | 331# |
| | | | 9' 0" | 12' 0" | 20' | RP-1100G-AL9/12-20 | 18' 9-3/8" | 8" | 17' 7-3/4" | 12' 10-3/4" | 341# |

Southland Medical Corporation
 466 W. Meats Avenue
 Orange, CA 92865
www.southlandmed.com
 800-959-9160